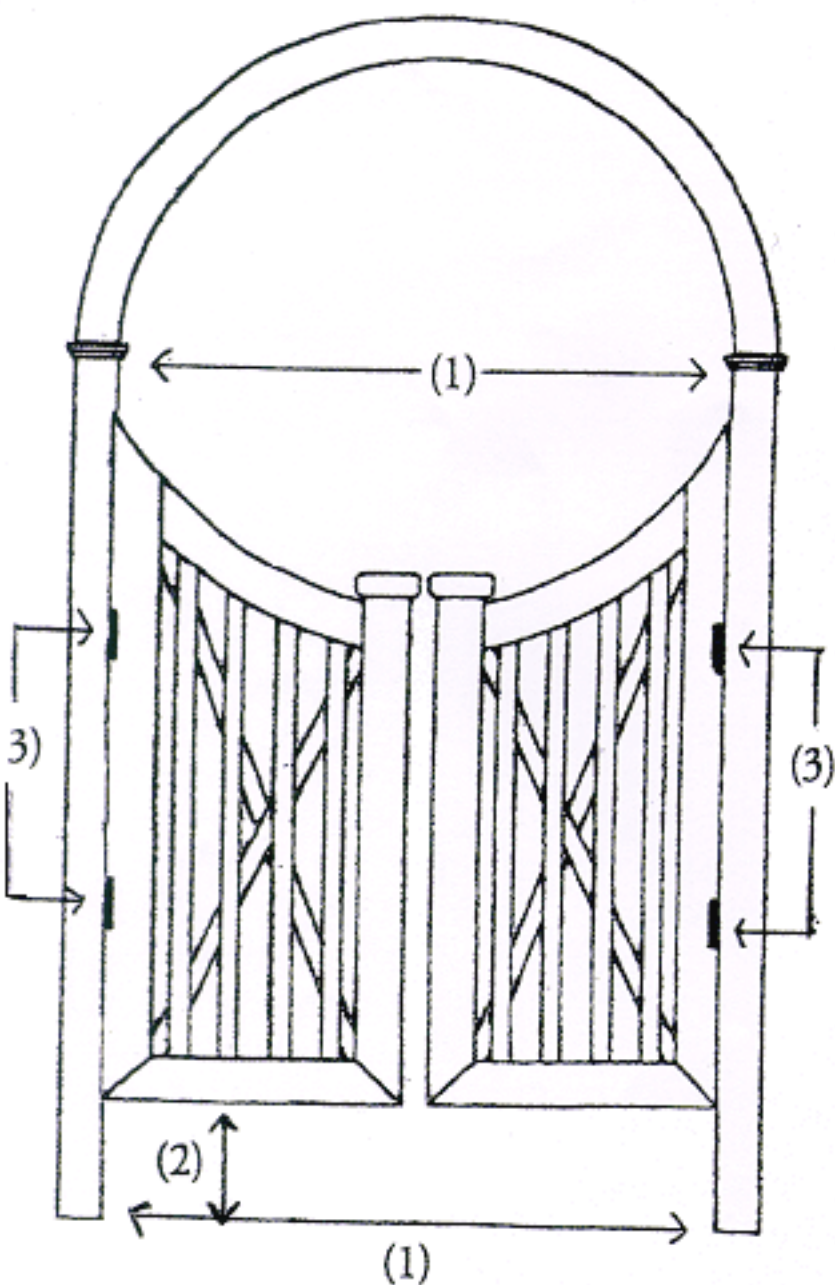


GATE INSTALLATION RECOMMENDATIONS



(1) Make certain support posts are vertical and parallel with a minimum width between posts of 1" wider than gate size.

(2) Measure up distance from ground for desired clearance height

(3) Mark Position of gate and install hinges "even" on both sides of posts.

(4) Mount hinges to gate.

(5) Install post caps on gate, if applicable.

We offer a wide range of gate styles and sizes, along with arbors and pergolas. Please call for further details.

AVAILABLE GATE SIZES*

36" 42" 48" 60" 72" 96"

*All gate sizes are referenced by the opening size.